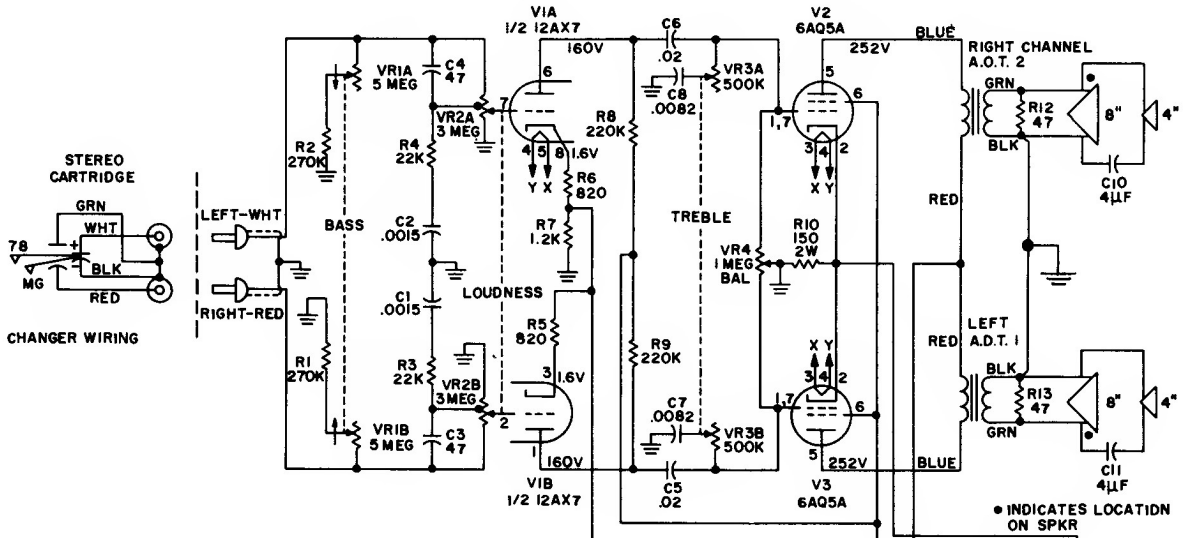
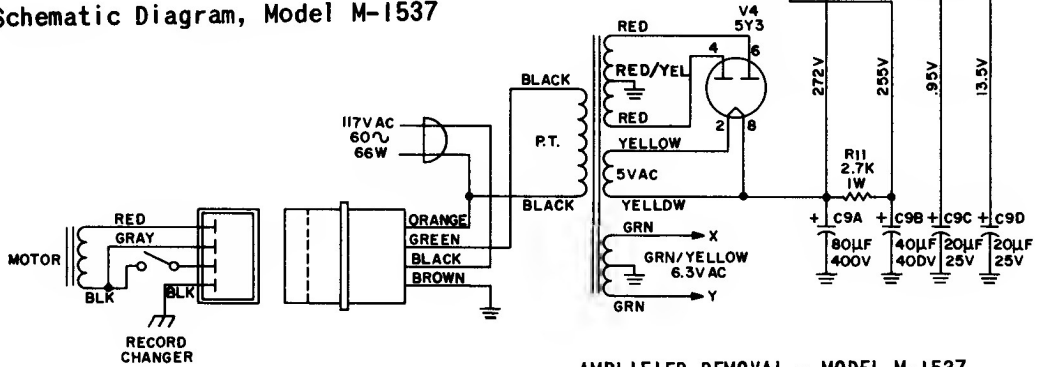


PHILCO Model M-1537 and Model M-1416 (Below)

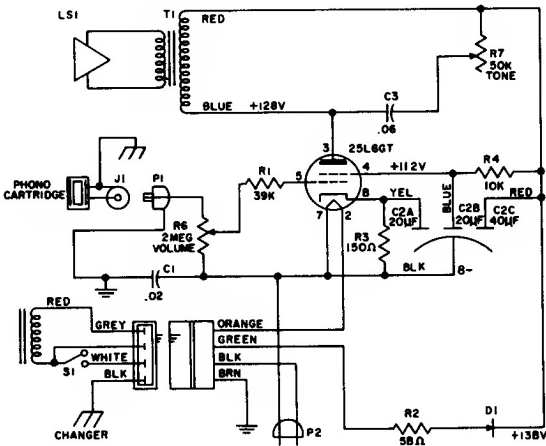


Schematic Diagram, Model M-1537



AMPLIFIER REMOVAL - MODEL M-1537

1. Remove two Phillips screws from back of cabinet. Do not remove two screws that fasten grille to cabinet back.
2. Remove plug on right side of changer base. Grasp washer on changer, hold down screw with long nose pliers. Grasp washer on side opposite washer opening through hole in right side of changer bin.
3. Lift right side of changer and slide changer to the right in order to free left side.
4. Unplug phono power and phono input cables. Set changer aside.
5. With a short screw driver, remove the two Phillips screws holding the amplifier compartment in the cabinet. These screws are located at the top of the changer compartment and run through the changer bin stop blocks.
6. Loosen phono power and phono input cable hold downs.
7. Slide amplifier compartment out of cabinet guiding all cables through openings in side and back of cabinet.
8. Remove knobs and T-nuts located on controls behind knobs.
9. Remove two speed nuts from studs on amplifier rear flange. Lift amplifier to clear studs and pull away from compartment.



Schematic Diagram, Model M-1416